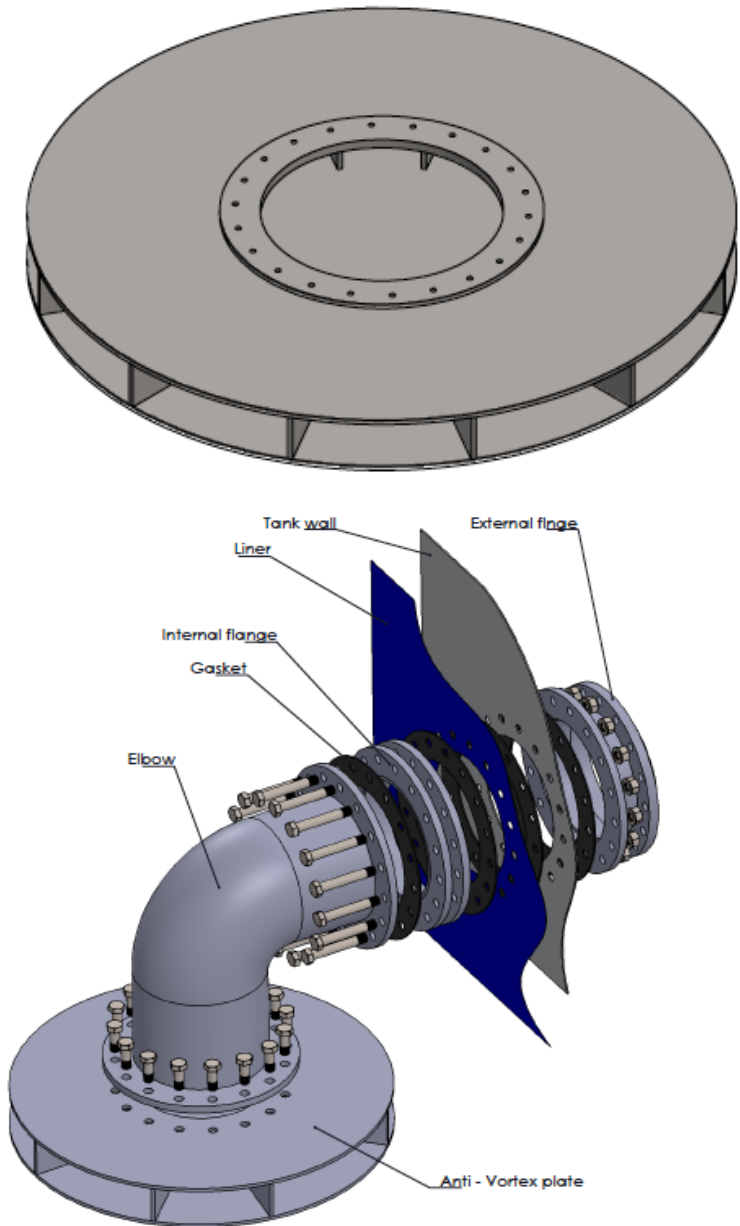


Main advantages/outstanding properties of PE100 black

- UV-resistance (black PE)
- Flexibility
- Low specific weight of app. 0,96g/cm³
- Favourable transportation (e. g. coils)
- Very good chemical resistance
- Weathering resistance
- Radiation resistance
- Good weldability
- Very good abrasion resistance
- No deposits and no overgrowth possible
- Due to less frictional resistance less pressure
- Losses in comparison with e. g. metals
- Freeze resistance
- Resistant to rodents
- Resistant to all kinds of microbic corrosion

In fluid mechanics, a vortex is a turbulent flow that must be controlled to prevent machine failure and damage to other rotating parts and structures. A vortex is a region formed in a fluid when the fluid's flow rotates around an axis line (either straight or curved) and the fluid flows in a swirling motion at a high velocity. It is something similar to tornadoes or whirlpools created by fast moving winds or an airplane's wing.

Vortex inhibitor plates help to decrease the speed of a fast moving fluid and smooth it into a laminar flow instead of a turbulent flow, thus reducing wear and tear. These plates also help prevent cavitation (small liquid-free zones such as bubbles or voids) in the fluid. Cavitation can create dents, shock waves and imbalance in the moving parts. Once cavitation affects a surface it tends to erode at an accelerating rate. This makes the surface prone to stress corrosion.



Climate Tanks™

www.ClimateTanks.com

Corporate Office Location
154 Pearl Industrial Ave
Hoschton, Georgia 30548
United States of America

DN of PIPELINE	Diameter mm	Hight mm	Weight kg
50	150	147	0,4
80	250	147	1,0
100	300	147	1,4
150	500	147	3,9
200	600	147	5,7
250	800	150	10,0
300	900	170	12,7
350	1100	200	19,0
400	1200	220	21,7
450	1400	250	29,5
500	1500	280	33,9